



Precision power control/sensing

FEATURES:

- Solid Core
- Analog Output
- Self-powered and loop-powered models
- Up to 100 amps input current
- Small, Compact Design

MANUFACTURED BY AN ISO 9001 REGISTERED QUALITY SYSTEM KELE INC. PARTNER

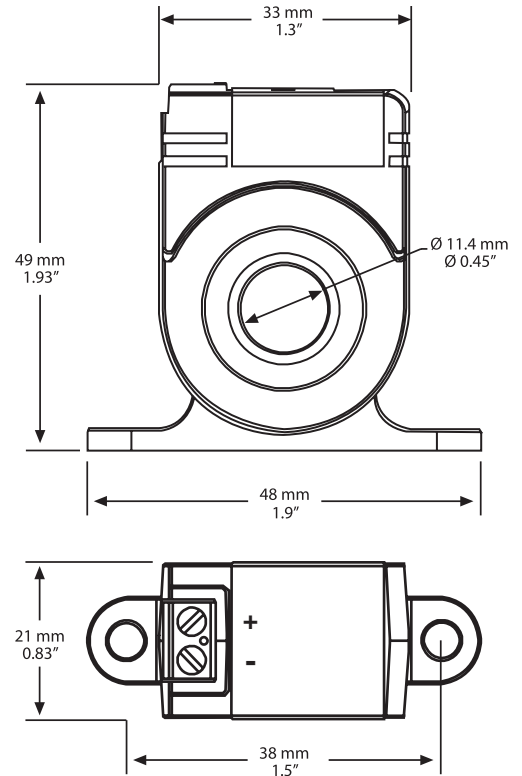
DESCRIPTION:

The MCX series of current transducers monitor line current for electrical loads such as pumps, conveyors, machine tools or fans and provide an output of 4-20 mA, 0-5 Vdc or 0-10 Vdc (Model specific) to represent the load current.

The MCX05VXXX & MCX10VXXX series require no external power supply as they are totally powered by induction from the AC line being monitored. The MCX420XX series is loop-powered and require an external 15-30 Vdc power supply.

SPECIFICATION:

| | |
|-----------------------------|--|
| Measurement Range:..... | 10/20/50 Amps (Model specific) |
| Maximum Input Current:..... | 100 Amps continuous |
| Accuracy:..... | ± 1% FSO |
| Sensor Power:..... | Self-powered (VDC) 15-30 Vdc, Loop-powered (mA) |
| Output Type:..... | 0-5 Vdc, 0-10 Vdc or 4-20 mA |
| Output Load:..... | 1 MΩ Typical (VDC) 250 Ω Typical (mA) |
| Loading Error:..... | Add 1.2% error with 100 KΩ (CS-650 & CS-651 Only) |
| Frequency:..... | 40-100 Hz |
| Response Time:..... | <250 mS Typical (0-90%) |
| Insulation Class:..... | 600 Vac, insulated conductors |
| Operating Temperature:..... | -15 to 60 °C (5 to 140 °F) |
| Operating Humidity:..... | 5 to 90% RH non-condensing |
| Terminal Block:..... | 14 to 22 AWG |
| Dimensions:..... | 48 x 49 x 21 mm 1.9x 1.93 x 0.83 in |
| Sensor Aperture:..... | 0.45 in (11.4 mm) |
| Enclosure Material:..... | ABS/PC, UL94 V-0 |
| Agency Approvals:..... | cULus Listed |



PRODUCT ORDERING INFORMATION

| MODEL | SENSING RANGE | MAXIMUM INPUT CURRENT | SIGNAL OUTPUT |
|-----------|---------------|-----------------------|-----------------------|
| MCX05V010 | 0-10 Amps | 100 Amps Continuous | 0-5VDC, Self-Powered |
| MCX05V020 | 0-20 Amps | 100 Amps Continuous | 0-5VDC, Self-Powered |
| MCX05V050 | 0-50 Amps | 100 Amps Continuous | 0-5VDC, Self-Powered |
| MCX10V010 | 0-10 Amps | 100 Amps Continuous | 0-10VDC, Self-Powered |
| MCX10V020 | 0-20 Amps | 100 Amps Continuous | 0-10VDC, Self-Powered |
| MCX10V050 | 0-50 Amps | 100 Amps Continuous | 0-10VDC, Self-Powered |
| MCX42010 | 0-10 Amps | 100 Amps Continuous | 4-20mA, Loop-Powered |
| MCX42020 | 0-20 Amps | 100 Amps Continuous | 4-20mA, Loop-Powered |
| MCX42050 | 0-50 Amps | 100 Amps Continuous | 4-20mA, Loop-Powered |



Kele Inc.
3300 Brother Boulevard
Bartlett, TN 38133
info@kele.com
kele.com

USA: 888-397-5353
FAX: 800-284-5353
International: 901-382-6084
International FAX: 901-388-1697

